

# ESD Precision Pliers

## Long/Round/Concave/Smooth, 130 mm



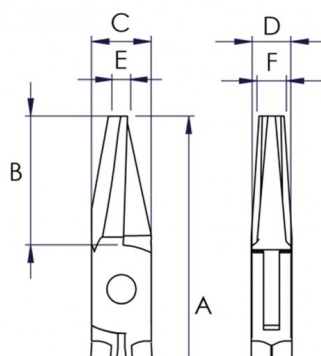
### Features

- Designed for use with electronic applications
- Ideal for precision work
- Made of stainless steel
- Monocomponent ESD handle



### Specification

Body material	S (AISI 410)
Grip handle material	Black plastic
Head shape	Round/Concave
Size/type	Long
Jaw	Smooth
OAL (mm - in) - A	130.00 - 5.118
B (mm - in)	25.00 - 0.984
Head width (mm - in) - C	11.50 - 0.453
Head thickness (mm - in) - D	7.50 - 0.295
E (mm - in)	2.20 - 0.087
F (mm - in)	3.00 - 0.118



**Art. Nr.**  
**RND 550-00327**